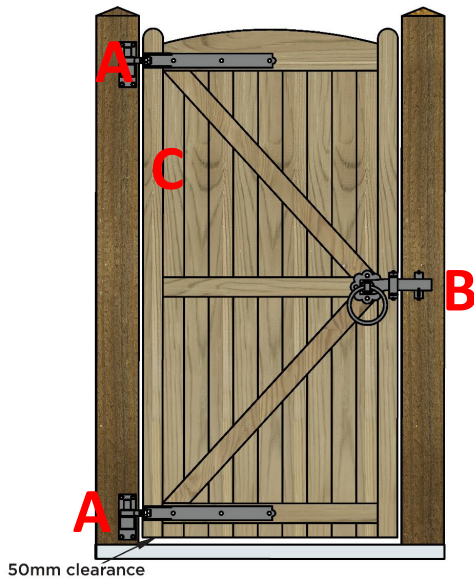
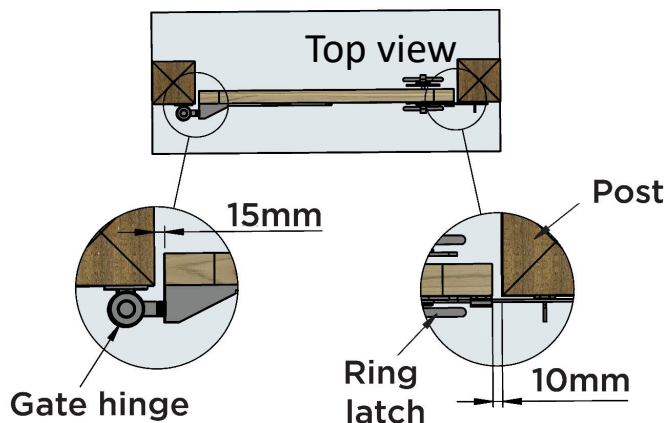


SIDE GATE/GARDEN GATE HUNG BETWEEN POSTS



View looking out from property



A = One way adjustable band & hook pin on plate hinge set *

B = Ring latch

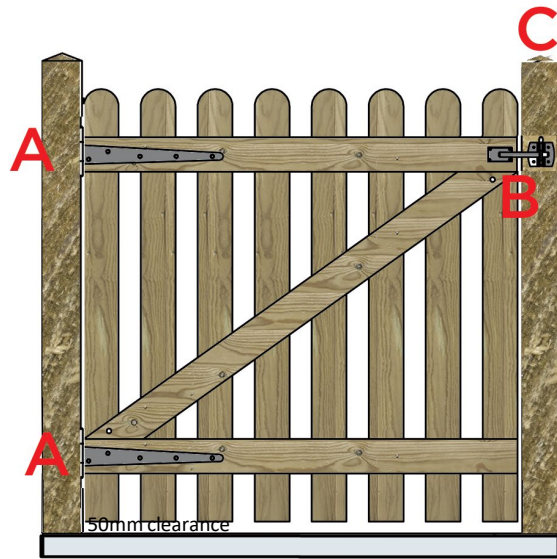
C = Hanging stile

*A cranked band & hook pin on plate hinge can be used. However, this type of hinge does not allow for any adjustment should there for example be any movement in the post.

Sizes given are quoted using the fittings supplied by Charltons and are a guide only. Charltons Pedestrian Gate range are universal hang i.e. can be hung from either side.

However, ideally on taller & heavier gate hinges should be placed on the side with both braces in the corners (**C**) for maximum support of the gate.

SMALL PEDESTRIAN GATES BETWEEN POSTS

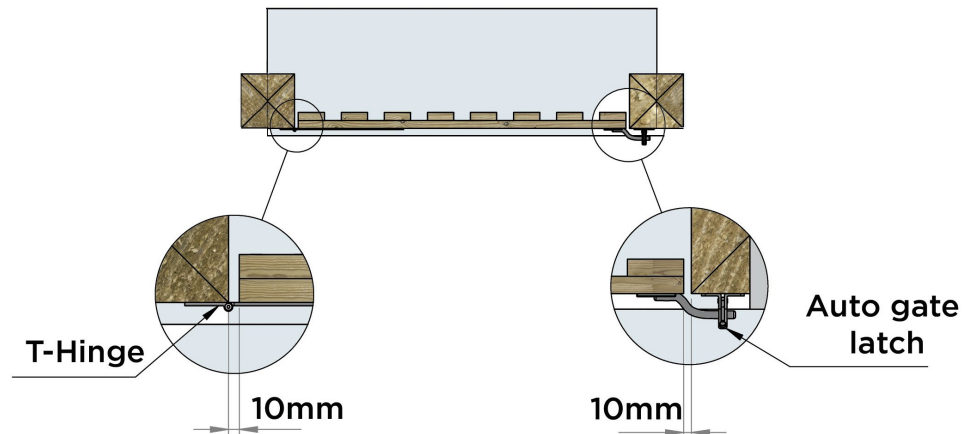


A = T Hinges (Cranked band & hook pin on plate can also be used)

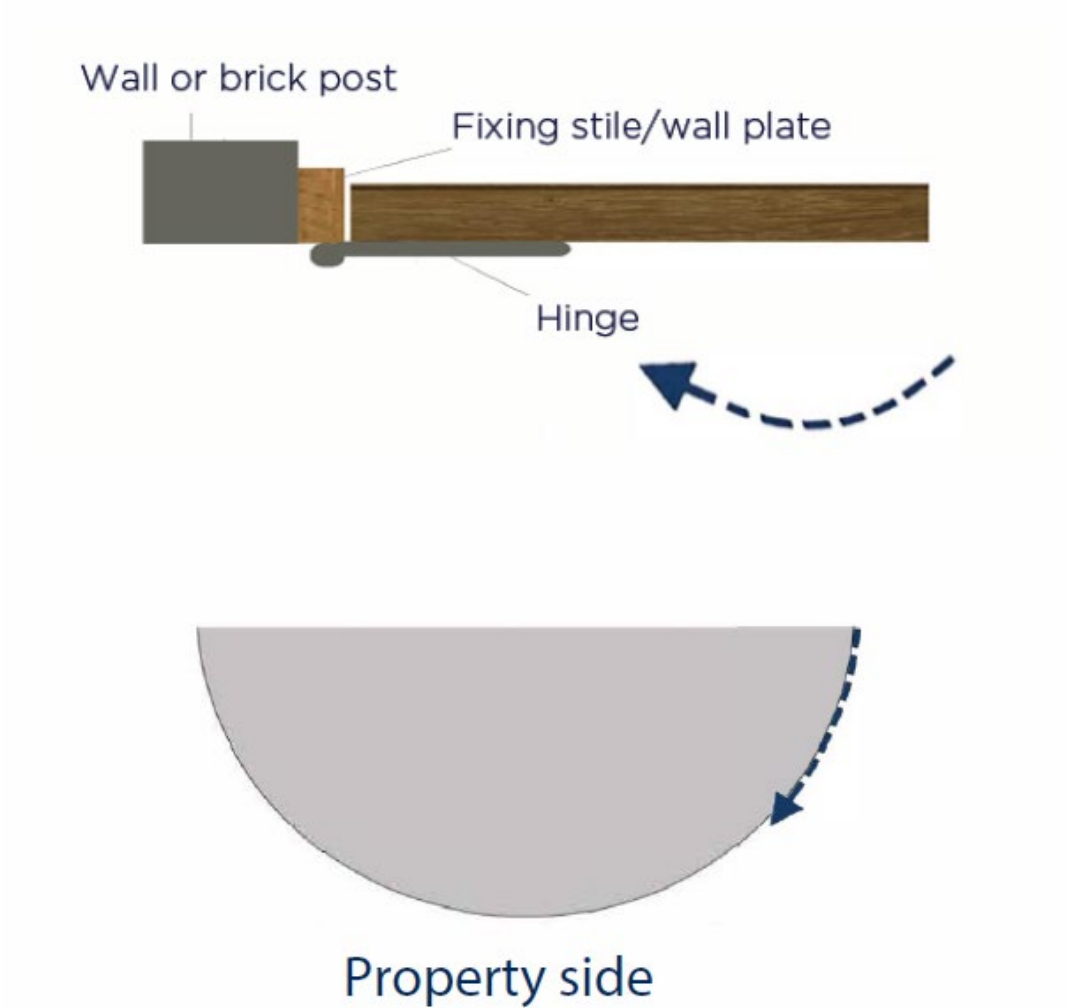
B = Auto gate latch

C = Post

Gate can be hung from either side.



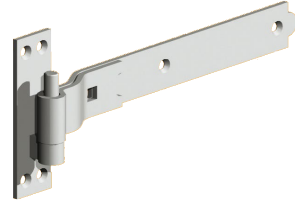
Gate will open 180° assuming no obstruction



Fittings



One way adjustable band & hook pin on plate hinge



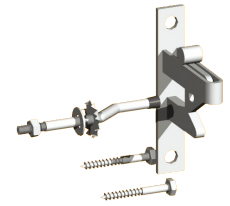
Cranked Band & Hook Pin on Plate Hinge



Heavy duty T Hinger



Ring latch



Auto Gate Latch

Gate Post Recommendations

| Gate Width | Gate Height | Minimum Post Recommended |
|-----------------------------|----------------------------------|-------------------------------------|
| 3'0" - 915mm to 3'6" 1.067m | 3'6" (1.067m) to 4'0" - (1.220m) | 7' x 4" x 4" - 1.8m x 100mm x 100mm |
| | 5'0" (1.525m- 6'0" - 1.830m | 8' x 4" x 4" - 2.4m x 100mm x 100mm |

Treatment

Pressure treatment protects the timber against wood rot and insect attack. These treatments do not provide all round protection against weathering. The elements and UV rays will slowly degrade the effectiveness of the pressure treatment. We therefore recommend that all planed timber gates are treated with a modern UV Oil.

For more information please visit <https://charltonsgates.com/timber-treatment-and-gate-care/>