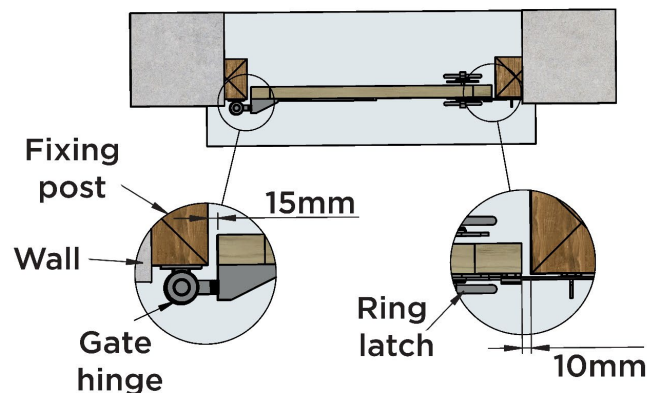
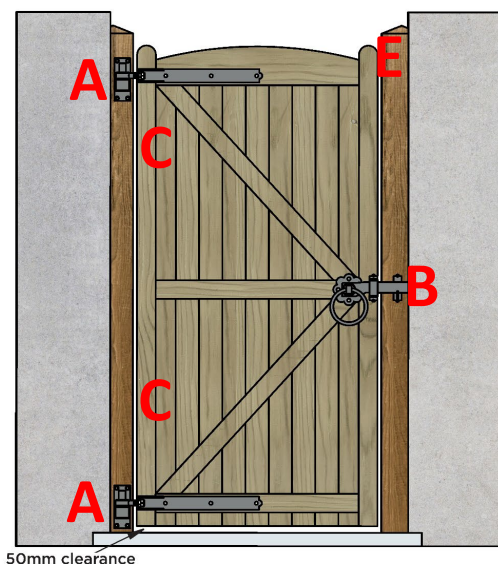


SIDE GARDEN GATE HUNG BETWEEN WALLS



A = Cranked band & hook pin on plate hinge set (T hinges can be used * a third hinge is recommended on the middle brace)

B = Ring latch

C = Hanging

E = Fixing post

Sizes given are quoted using the fittings supplied by Charltons and are a guide only.

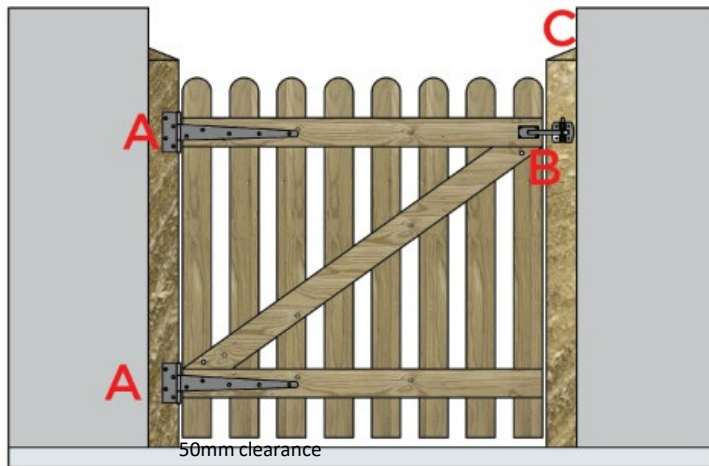
We recommend an experience installer fit the gate. Charltons Pedestrian Gate range are universal hang i.e. can be hung from either side.

However, ideally on taller & heavier gate hinges should be placed on the side with both braces in the corners (**C**) for maximum support of the gate.

SIDE GARDEN GATE HUNG BETWEEN WALLS



CHARLTONS
QUALITY INGRAINED
GATES AND FENCING



A = T Hinges (Cranked band & hook pin on plate can also be used)

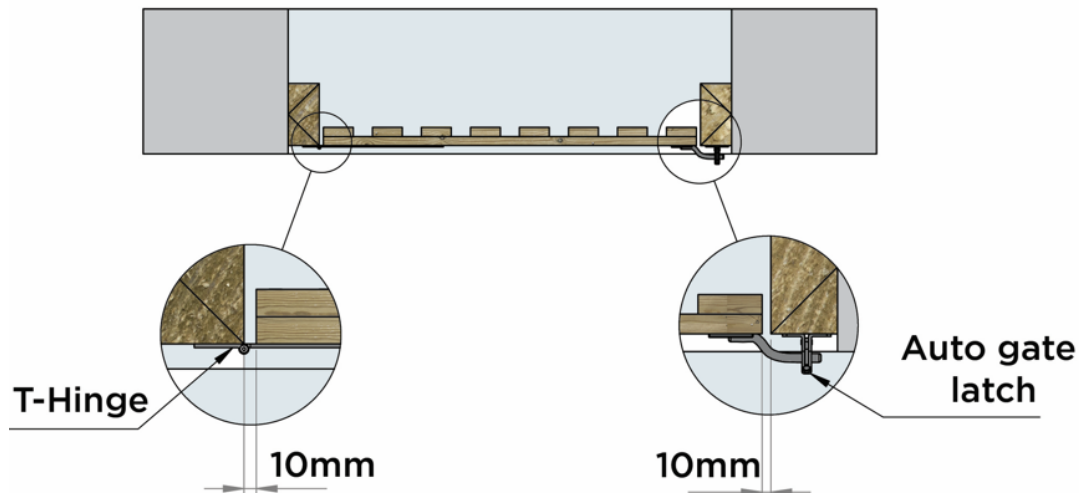
B = Auto gate latch

C = Fixing post

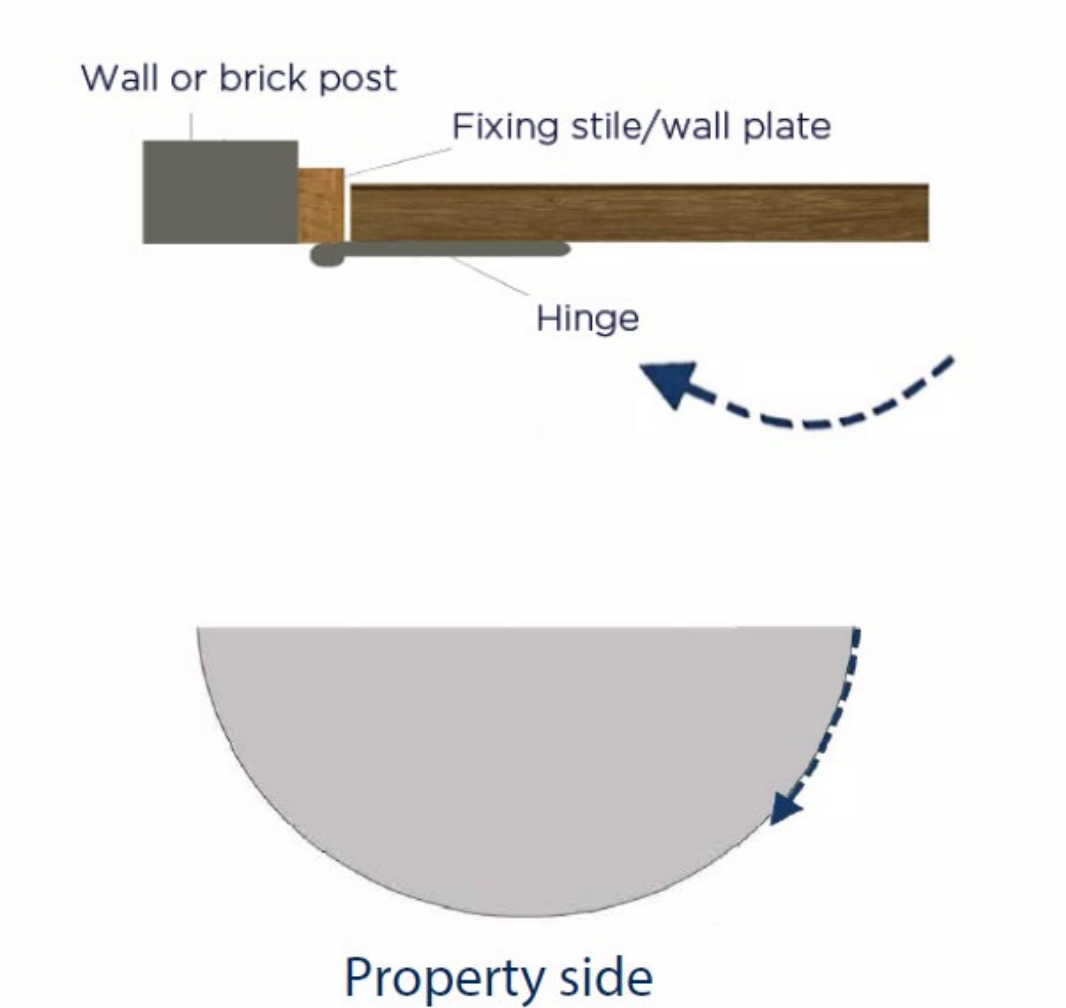
Gate can be hung from either side.

View looking out from property

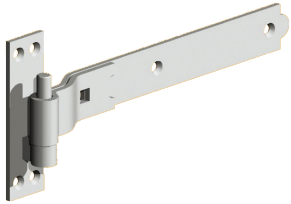
Top view



Gate will open 180° assuming no obstruction



Fittings



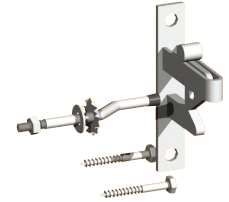
Cranked Band & Hook
Pin on Plate Hinge



Heavy duty T Hinger



Ring latch



Auto Gate Latch

Treatment

Pressure treatment protects the timber against wood rot and insect attack. These treatments do not provide all round protection against weathering. The elements and UV rays will slowly degrade the effectiveness of the pressure treatment. We therefore recommend that all planed timber gates are treated with a modern UV Oil.

For more information please visit <https://charltonsgates.com/timber-treatment-and-gate-care/>